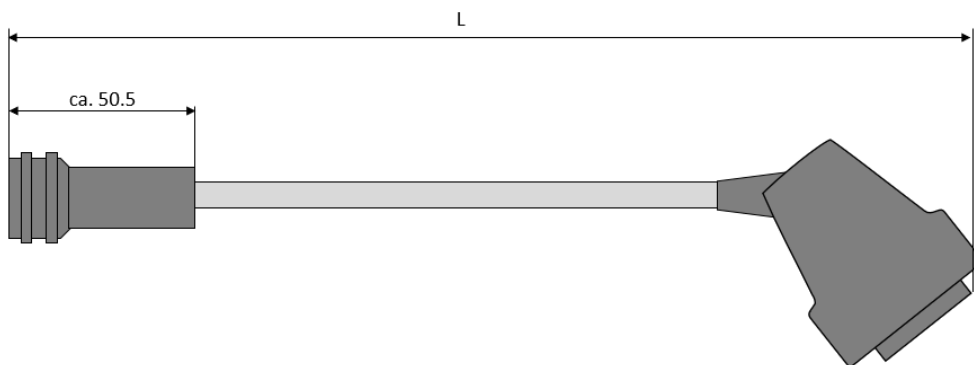




- extension cable to connect the BioProTT™ Clamp-On SL to the BioProTT™ FlowMCP
- IP Class 68 (in mated condition)
- available in three different lengths

## Technical Specification

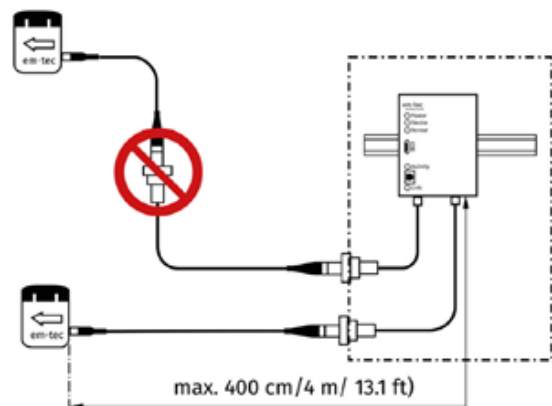
Variant	BioProTT™ FlowMCP Extension Cable 0.25 m	BioProTT™ FlowMCP Extension Cable 1.10 m	BioProTT™ FlowMCP Extension Cable 2.65 m*
Article Number	13709	13710	13711
Length	0.25 m	1.10 m	2.65 m
Weight	100 g	160 g	240 g
IP Class	IP 68 (at round plug) in mated condition		
Compatible with	BioProTT™ FlowMCP 1- 4 series		



\*Note: Please use a BioProTT™ Clamp-On SL with a shortened sensor cable in order to stay below four meters total cable length.

## Use

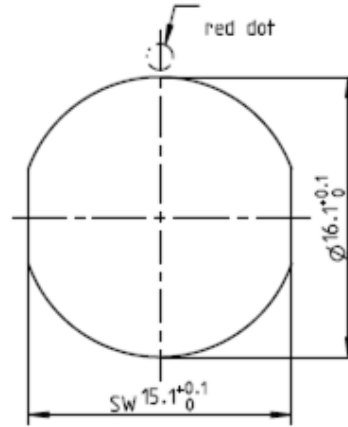
In order to connect the BioProTT™ Clamp-On SL to the BioProTT™ FlowMCP variant inside the control cabinet, a panel cut-out is needed:



# BioProTT™ FlowMCP – Extension Cable

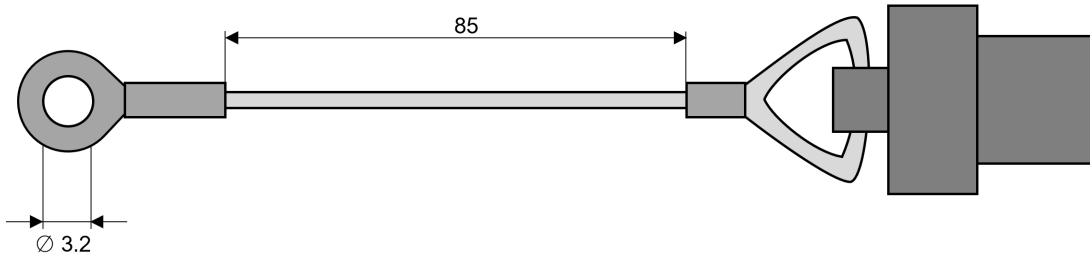
## Panel Cut-Out

The panel cut-out must have the following dimensions:



## Available Accessory: Protective Cap for IP 68 Extension Cable

Protective cap for IP 68 extension cable the round plug with solder plug  $\varnothing 3.2$  mm



**Article Number**

13802

**IP Class**

IP 68 in mated condition

**ProcessHQ, Inc.**

410 N. Varney Street  
Burbank, CA 91502  
818 861-7641 (voice)  
818 475-1589 (fax)  
info@processHQ.com



Where Innovation Flows

**em-tec**

em-tec GmbH  
Lerchenberg 20  
86923 Finning, Germany  
P: +49 8806 9236 0  
F: +49 8806 9236 50  
E: em-tec-info@psgdoover.com  
www.psgdoover.com/em-tec